



Globe Control Valve

Specifications

Sizes: 1/2" - 4"
Materials: PVC, PP, PVDF and PTFE
Model: Flanged (ANSI)
Stem Seal: PTFE Bellows
Valve Seal: FKM, EPDM, PTFE encapsulated FKM
Flow Char.: Linear or equal percentage
Rangeability: 1: 50 for 1/2" - 3", 1: 30 for 4"
Temp. Range: PVC 32- 140° F, PP -5 - 175° F
 PVDF -5 - 265° F, PTFE -5 - 300° F

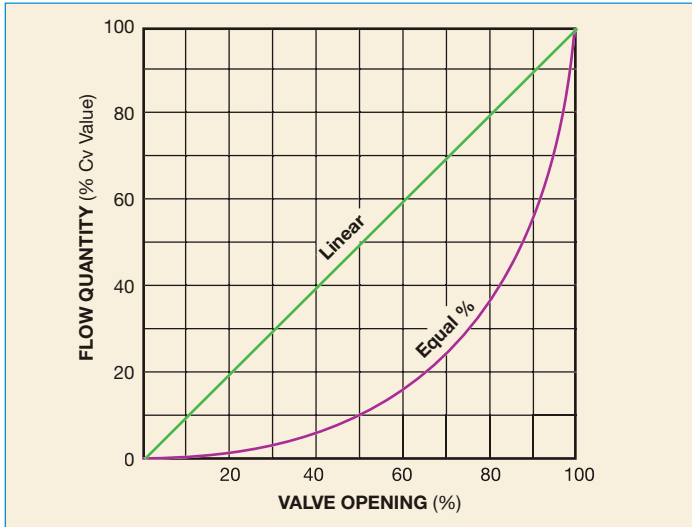
Standard Features

- Very accurate flow control
- Solid thermoplastic valve bodies provide excellent corrosion resistance
- Unique PTFE bellows stem seal obliterates packing glands and minimizes maintenance
- Plug and seat can be changed for a variety of valve coefficients (Cv)
- Plug (trim) can be characterized (linear or equal percentage) per requirements
- Extremely corrosion resistant, polyester glassfilled Diaphragm Type Actuator
- Maximum air pressure 90 psi
- Accepts 3-15 psi direct up to 1" valve size

Options

- Positioner (single acting, 90 psi, input signals 3 - 15 psi or 4 - 20mA)
- 4-20mA output

Characteristics



Parts List (Sizes 1/2" - 4")

PARTS			
NO.	DESCRIPTION	PCS.	MATERIAL
1	Pneumatic Actuator	1	Polyester Glass Filled
2	Actuator Spring	1	Coated Steel
3	Diaphragm	1	Nitrile
4	Actuator Valve Stem	1	Stainless Steel
5	Air Connection	1	1/4" Female NPT
6	Actuator Standoffs	2	Stainless Steel
7	Position Indicator	1	Nylon Coated
8	Bellows Seal O-Ring	1	FKM , EPDM
9	Bellows Housing	1	PVC, PP, PVDF, PTFE
10	Body O-Ring	1	FKM , EPDM
11	Bellows	1	PTFE
12	Seat O-Ring	1	FKM, Hypalon®
13	Valve Seat	1	PVC, PP, PVDF, PTFE
14	Valve Plug	1	PVC, PP, PVDF, PTFE
15	Valve Body	1	PVC, PP, PVDF, PTFE

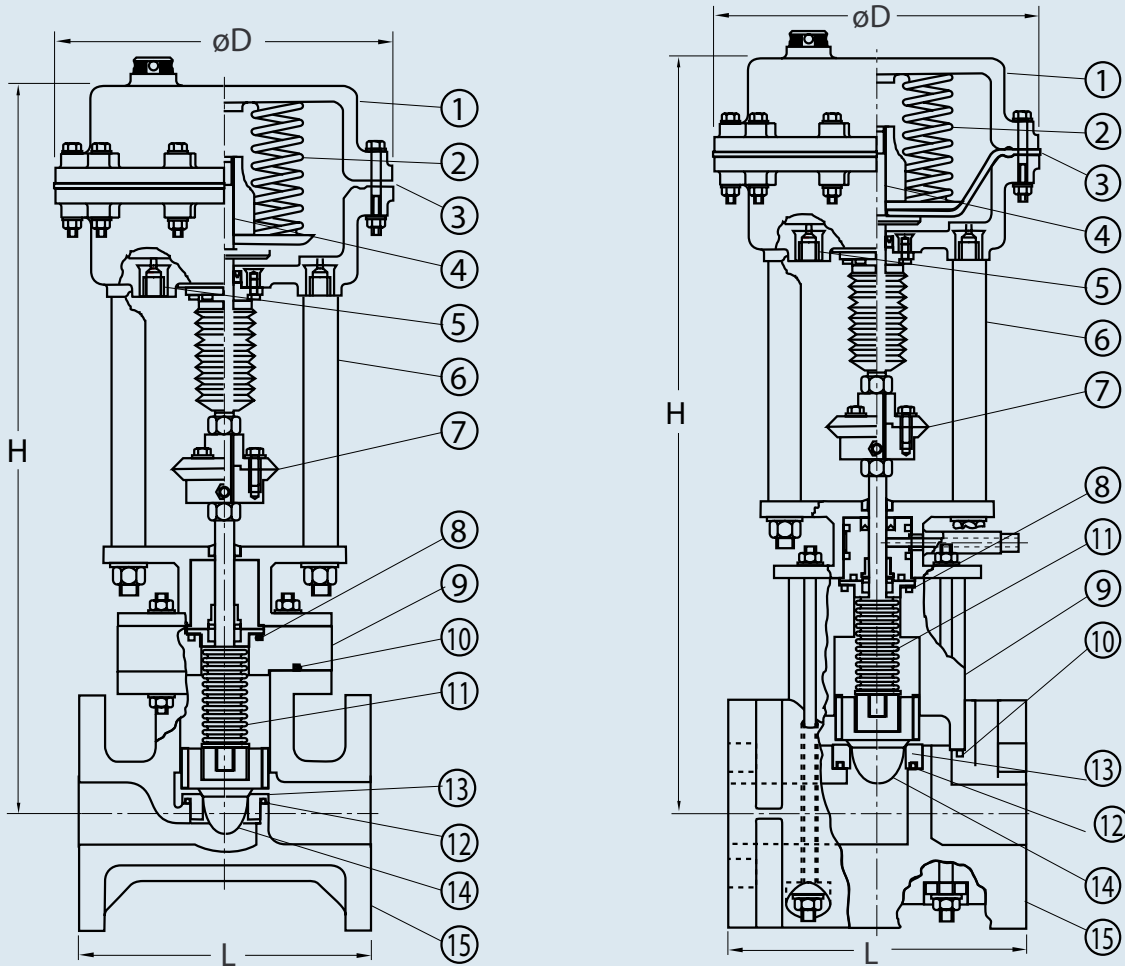
Sample Specification

All Thermoplastic modulating control valves shall be of the Globe Valve design with interchangeable seats and plugs for various CV's. Flow characteristics shall be either Linear or Equal Percentage. Stem seal shall be PTFE bellows design. PVC conforming to ASTM D1784 Cell Classification 12454-A, PP conforming to ASTM D4101 Cell Classification PPO210B67272, and PVDF conforming to ASTM D3222 Cell Classification Type II., as manufactured by Asahi/America, Inc.

Caution

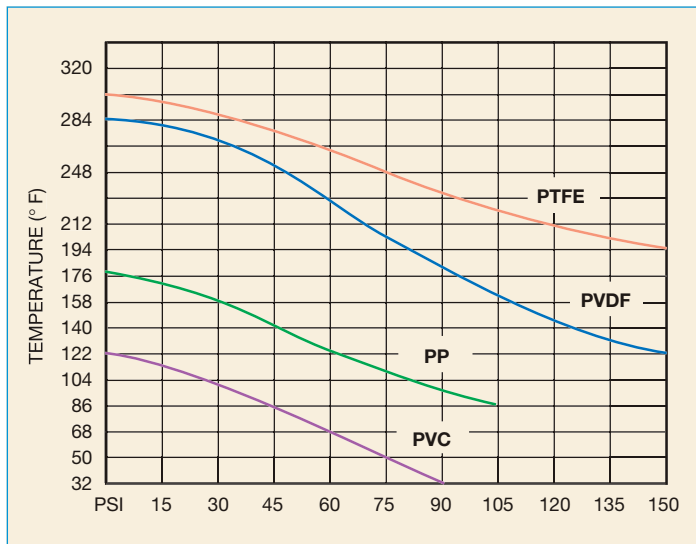
- Never remove valve from pipeline under pressure.
- Always wear protective gloves and goggles.

Globe Control Valves



Operating Pressure vs. Temperature

(PSI, WATER, NON-SHOCK)



Dimensions

(INCHES)

NOMINAL SIZE		PVC, PP			PVDF, PTFE		
INCHES	mm	L	H	D	L	H	D
1/2	15	3.35	18.70	8.66	5.12	19.69	8.66
3/4	20	3.74	18.70	8.66	5.91	19.88	8.66
1	25	4.33	18.90	8.66	6.30	19.88	8.66
1 1/4	32	5.31	19.09	8.66	7.09	20.08	8.66
1 1/2	40	7.48	18.90	8.66	7.87	20.28	8.66
2	50	7.87	19.09	8.66	9.06	20.47	8.66
2 1/2	65	8.66	20.08	8.66	11.42	21.46	8.66
3	80	9.45	20.08	8.66	12.20	21.85	8.66
4	100	11.42	20.28	8.66	13.78	21.81	8.66
5	125	NA			ON REQUEST		
6	150	NA			ON REQUEST		