



## Type 56 Butterfly Valve

### Standard Features (Sizes 1-1/2" – 16")

- Standard model (1-1/2" – 14") has PVC Body and PP Disc for better chemical resistance at temperatures higher than can be achieved with PVC. 16" has PP body and PP disc as standard.
- Our 316/403 stainless steel shaft has full engagement over the entire length of the disc and is a non-wetted part, totally isolated from the media.
- Only solid and abrasion-resistant plastic disc and elastomeric liner are wetted parts.
- ISO bolt circle on top flange
  - no body or stem modifications required for accessories.

### Options

- Pneumatically and electrically actuated with accessories
- Alternate discs:
  - (I) PVC : 1-1/2" – 14"
  - (III) PVDF : 1-1/2" – 16"
- Gear operators for 1 -1/2"- 6"
- Lug style (Stainless Steel 304 or 316) as blocking and end-of-line applications
- Stems in 316 stainless steel, titanium, Hastelloy C<sup>®</sup> etc.
- 2" square nut on stem
- 2" square nut on gear operator
- Stem extensions (single stem and two-piece stem)
- Locking devices (Gear Type – Standard on Lever)
- Chain operators
- Manual limit switch
- Tandem arrangements (Patented by A/A, Inc.)

### Specifications

**Sizes:** Lever: 1-1/2" – 8"  
 Gear: 8" – 16"  
**Models:** Wafer Style  
**Operators:** Lever and Gear  
**Bodies:** PVC, PP and PVDF  
**Discs:** PVC, PP and PVDF  
**Seats:** EPDM or FKM, Also Nitrile, Butyl, Hypalon<sup>®†</sup>, and Neoprene<sup>®†</sup>  
**Seals:** Same as seating material  
**Stems:** 403 and 316 stainless steel, titanium, Hastelloy C<sup>®†</sup>, etc.

† Trademark of Cabot Corporation

### Parts List (Lever: Sizes 1-1/2" – 8")

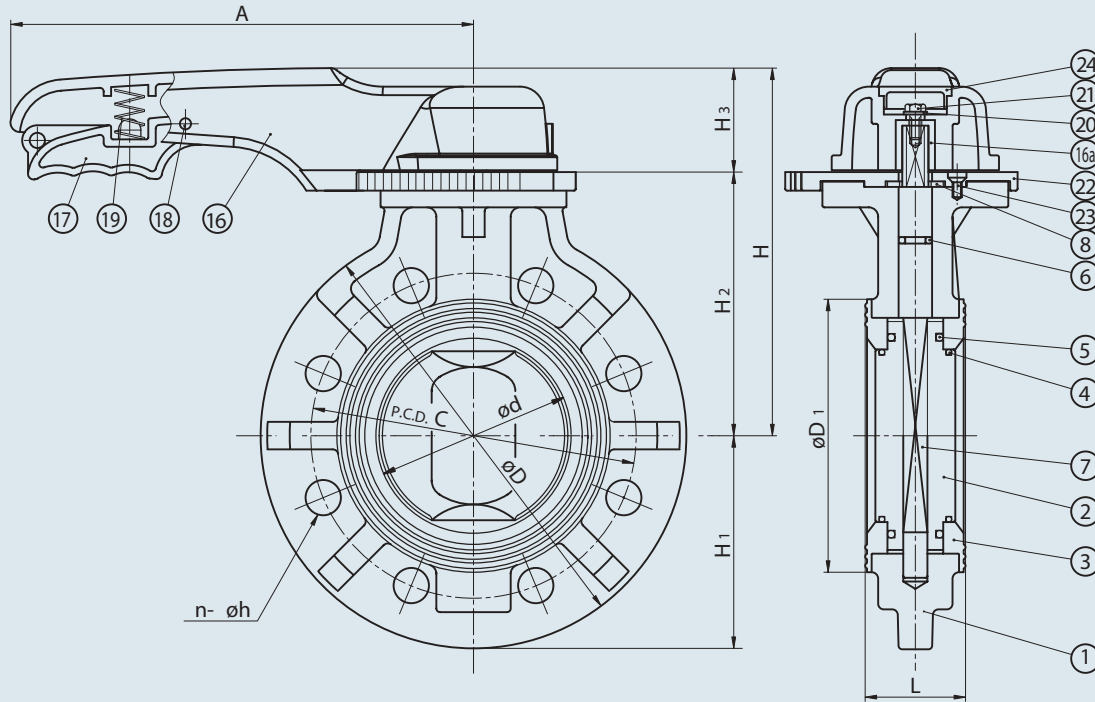
PARTS			
NO.	DESCRIPTION	PCS.	MATERIAL
1	Body	1	PVC, PP, PVDF
2	Disc	1	PVC, PP, PVDF
3	Seat	1	EPDM, FKM, Others
4	O-Ring (A)*	2	EPDM, FKM, Others
5	O-Ring (B)	2	EPDM, FKM, Others
6	O-Ring (C)	1	EPDM, FKM, Others
7	Stem	1	Stainless Steel 316
8	Stem Holder	1	Stainless Steel 304
16	Handle	1	PP
16a	Metal Insert in Handle	1	Stainless Steel 316
17	Handle Lever	1	PPG
18	Pin	1	PPG
19	Spring	1	Stainless Steel 304
20	Washer (A)	1	Stainless Steel 304
21	Bolt (B)	1	Stainless Steel 304
22	Locking Plate	1	PPG
23	Screw (B)	4	Stainless Steel 304
24	Cap (A)	1	PP
1a	Ring**	2	Steel

\* Used for sizes 2" through 8"

\*\*With powder coat finish and used for PP bodies 6" and 8"



# Type 56 – Lever Operated Butterfly Valves



## Dimensions (Lever: Sizes 1-1/2" – 8")

NOMINAL SIZE		ANSI CLASS 150				D	D1	L	H	H1	H2	H3	A
INCHES	mm	d	C	n	h								
1 1/2	40	1.85	3.88	4	0.62	5.91	3.23	1.54	6.14	2.95	3.94	2.20	8.66
2	50	2.24	4.75	4	0.75	6.50	3.43	1.65	6.37	3.27	4.17	2.20	8.66
2 1/2	65	2.80	5.50	4	0.75	7.28	4.41	1.81	6.81	3.66	4.61	2.20	8.66
3	80	3.15	6.00	4	0.75	7.87	4.84	1.81	7.08	3.94	4.88	2.20	9.84
4	100	4.13	7.50	8	0.75	9.02	5.79	2.20	7.79	4.53	5.59	2.20	9.84
5	125	5.16	8.50	8	0.88	10.00	7.09	2.60	9.49	5.00	6.77	2.72	12.60
6	150	6.06	9.50	8	0.88	11.22	8.27	2.80	10.00	5.63	7.28	2.72	12.60
8	200	8.03	11.75	8	0.88	13.39	10.12	3.43	11.26	6.69	8.54	2.72	15.75

## Cv Values

NOMINAL SIZE		Cv (at various opening degrees)		
INCHES	mm	30°	60°	90°
1 1/2	40	2.9	43.3	71
2	50	3.9	56.1	92
2 1/2	65	5.9	85.4	140
3	80	9.3	134.2	220
4	100	15.1	231	380
5	125	30.9	445	730
6	150	46.6	671	1100
8	200	106	1425	2500

## Pressure vs. Temperature (PSI, WATER, NON-SHOCK)\*

BODY		PVC			PP			PVDF			
DISC		PP			PP			PVDF			
NOMINAL SIZE		30° F	121° F	141° F	-5° F	141° F	-5° F	141° F	176° F	211° F	
INCHES	mm	120° F	140° F	175° F	140° F	175° F	140° F	175° F	210° F	250° F	
1 1/2	40	150	70	30	150	100	150	100	85	75	
2	50	150	70	30	150	100	150	100	85	75	
2 1/2	65	150	70	30	150	100	150	100	85	75	
3	80	150	70	30	150	100	150	100	85	75	
4	100	150	45	30	150	100	150	100	85	75	
5	125	150	45	30	150	100	150	100	85	75	
6	150	150	45	30	150	100	150	100	85	75	
8	200	150	40	20	150	85	150	85	75	60	

## Wt. (LBS) / Vacuum Service

NOMINAL SIZE		LEVER OPERATED	NOMINAL SIZE		VACUUM SERVICE (INCHES OF MERCURY)
INCHES	mm		INCHES	mm	
1 1/2	40	2.70	1 1/2	40	-29.92
2	50	3.10	2	50	-29.92
2 1/2	65	3.50	2 1/2	65	-29.92
3	80	4.00	3	80	-29.92
4	100	5.50	4	100	-29.92
5	125	10.80	5	125	-29.92
6	150	13.30	6	150	-27.56
8	200	19.90	8	200	-27.56

\* For lug style data consult factory