

# Electric Actuators

## Specifications

Series 83: Motor Type - Unidirectional,  
Single phase

Size - A83 1/2" - 2" valves  
Torque - 120 in-lbs  
Voltage - 120 Vac, 50/60 Hz  
Amp Draw - 2.2 Amps  
Temp - Ambient Temp - 150 °F  
Switches - One single pole, Double  
throw (15 Amp rating)  
Corrosion/Weather proof -  
NEMA 4X

### Standard Features (Sizes 1/2" – 2")

- PVC or CPVC Omni valve (or other Asahi ball valves and multiport ball valves up to 2")
- 2-part PTFE seats with EPDM backing
- Available in threaded and socket models
- 115 Vac single phase thermally protected
- 2.2 amps unidirectional 1/4-turn motor
- 5 second cycle time
- Actuator housing of high impact ABS, NEMA 4X. weatherproof

### Options

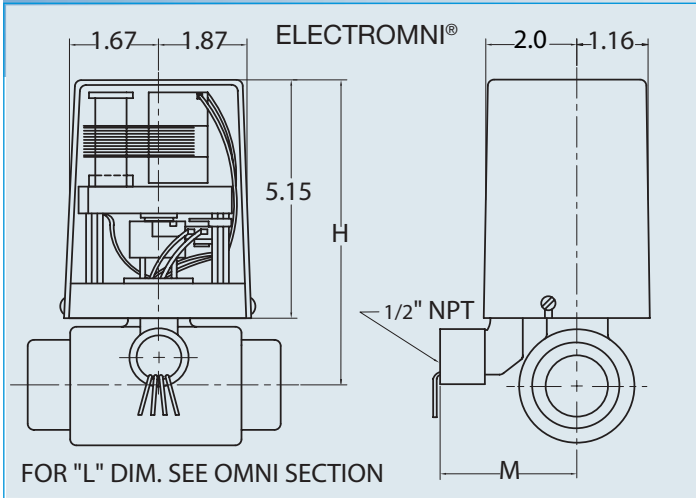
- Other voltages (see table)
- Extra limit switch (SPDT) for sequencing with other equipment or remote indicator lights, built into base, displaying OPEN or Closed position
- 2-wire control which can be used for retrofitting solenoids (must provide constant voltage) or for direct-wiring timers, level switches, etc.

### Sample Specification

All open/close electrically actuated ball valves sizes 3/8" thru 2" shall have direct mounted unidirectional 90° turn actuators (115 Vac & 220 Vac, 12/24 AC & DC shall be reversing). Actuator shall be weatherproof (Nema 4X), have a green lead for grounding, and all wire leads protruding from 1/2" NPT conduit entry for customer hook-up. All valves shall be OMNI® ball valves, size 3/8"– 2", and shall be of one-piece, compact design, non-union type. All O-rings shall be EPDM or FKM with PTFE seats. PVC conforming to ASTM D1784 Cell Classification 12454-A, and CPVC conforming to ASTM D1784 Cell Classification 23567-A. Valve shall be rated 150 psi at 70° F, as manufactured by Asahi-America, Inc.



**Electromni®**



### Wt./Dimensions

NOMINAL SIZE	WT. (LBS.)	H	M
3/8	1.75	5.84	2.75
1/2	1.75	5.84	2.75
3/4	2.00	6.24	2.75
1	2.50	6.25	2.75
1 1/2	3.00	6.33	2.75
2	4.00	6.65	2.75

### Voltage

Voltage	Current Draw (amps)	Cycle Time (sec)	Duty Cycle (%)
115 Vac	2.10	5	25
220 Vac	0.60	5	25
12 Vac	2.25	5	75
24 Vac	4.00	5	75
12 Vdc	1.00	5	75
24 Vdc	1.00	5	75