

# Duplex Plastic Bag Filters

Single or Double Length - Polypropylene



## No Downtime for Bag Change-Out

With an all-plastic, corrosion-resistant Hayward Duplex Bag Filter, there is never a need to shut down the line and there is never any downtime necessary when changing filter bags. Just turn the lever handle to divert flow from one filter housing to the other. Then spin off the hand-removable cover, remove the dirty bag and install a new one.

## Extra Features...No Extra Cost

Features such as a rugged, lightweight fiberglass mounting platform and a vent/bleed valve installed on both filter housing covers are standard with every Hayward All-Plastic Duplex Bag Filter.

## Corrosion Is Never a Problem

A metal filter housing will ultimately rust or corrode and contaminate the process media. There is no danger of this happening with a Hayward All-Plastic Duplex Bag Filter. It will never rust or corrode and never compromise the quality of the process fluid.

## Wide Range of Filter Bags

Non-woven polypropylene filter bags are available in 1, 5, 10, 25, 50, 100, 150, 200, 400, 600 and 800 micron sizes. The retaining basket that holds the bag has a unique, universal seat that works with almost any single or double length filter bag.

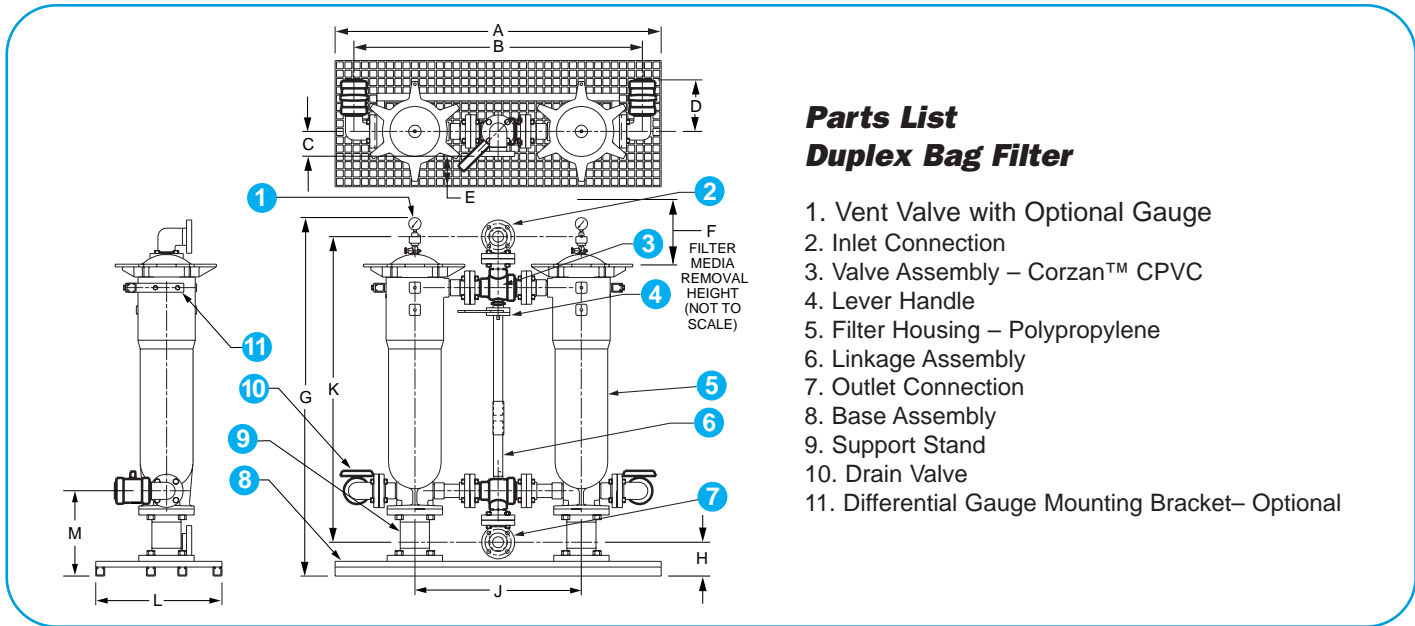
## Features

- No Line Shutdown for Bag Change-Out
- Available in Both Single and Double Length Bag Sizes
- Can't Rust or Corrode
- Reversible Inlet and Outlet
- Rated to 150 PSI

## Options

- Pressure Differential Gauges
- Pressure Differential Switches
- Automated Operation – Electric or Pneumatic

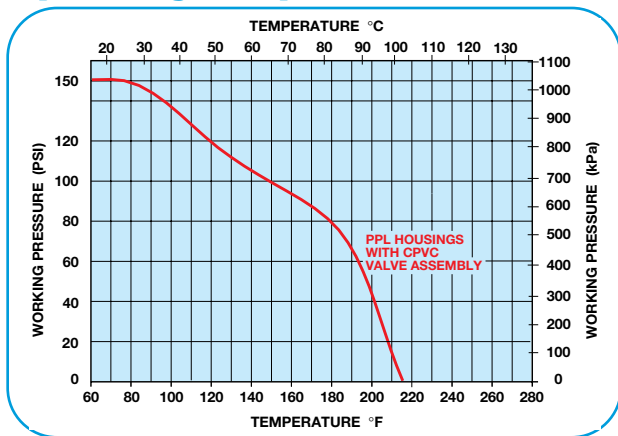
# Technical Information



## Dimensions - Inches / Millimeters

Vessel Size	A	B	C	D	E	F	G	H	J	K	L	M	Weight (lb / kg)
Single Length	59 / 150	52 / 132	4.5 / 11	9.3 / 24	5.5 / 14	20 / 51	49 / 123	6.1 / 16	30 / 76	39 / 99	23 / 58	15.3 / 39	162 / 74
Double Length	59 / 150	52 / 132	4.5 / 11	9.3 / 24	5.5 / 14	36 / 91	65 / 164	6.1 / 16	30 / 76	55 / 140	23 / 58	15.3 / 39	190 / 86

## Operating Temperature/Pressure



## Technical Specifications

- Bag Size:** Single length - 7" x 16", 2.0 square feet; double length - 7" x 32", 4.1 square feet, PPL fabric and ring
- Basket Open Area Ratio:** Single length 28:1; double length 60:1
- Piping Connections:** 2" 150# class flange
- Drain Connections:** 2" NPT
- Material of Construction:** Glass-reinforced polypropylene and Corzan® CPVC
- Seals:** Viton®
- Pressure Rating:** 150 psi @ 70° F
- Nominal Bag Ratings:** 1, 5, 10, 25, 50, 100, 150, 200, 400, 600 and 800 microns. Universal seat accepts most standard 7" diameter bags
- Maximum Flow Rate:** 100 gpm
- Mounting Base:** Fiberglass
- Hardware:** Stainless steel

Corzan® is a trademark of B.F. Goodrich Company  
Viton® is a trademark of DuPont Dow Elastomers



### Hayward Industrial Products, Inc.

One Hayward Industrial Drive, Clemmons, NC 27012  
Tel: 1-888-429-4635 (1-888-HAYINDL) • Fax: 1-888-778-8410  
E-mail: industrial@haywardnet.com  
Web Site: <http://www.haywardindustrial.com>

### Hayward Industrial Products (UK) Ltd.

Unit 2, Crowngate, Wyncolls Road  
Colchester, Essex C04 9HZ  
Tel: +44 (0) 1206 854454 • Fax: +44 (0) 1206 851240