

Series PAD & PAS Pneumatic Actuators

Corrosion-Resistant Plastic Construction • For Use With Ball Valves up to 2" Size



PAS actuator shown above. Model PAD shown at right is mounted to a true union ball valve.

PNEUMATIC ACTUATORS & OPTIONS

Corrosion Resistant

Hayward PAD and PAS actuators feature a housing made of corrosion-resistant plastic. This housing stands up to corrosive environments and to other harsh conditions.

Two Modes of Operation

Series PAD actuators are air-to-air (double acting) actuators, while the PAS Series are air-to-spring (fail safe) actuators. Air-to-air actuators require air pressure for both actuation cycles, open and closed. Air-to-spring actuators utilize a mechanical spring return unit, enclosed in a plastic housing, to operate one of the actuation cycles. This type of actuator can be set to have the spring, rather than air pressure, either open or close the valve.

Rugged Design

Hayward PAD and PAS actuators feature a proven vane design for extremely reliable service with minimum maintenance. This design utilizes only one moving part – the vane assembly.

Modular Mounting Options

PAD and PAS actuators feature a modular mounting system for options. Options mount separately to the actuator – they are not "built in." This allows you to select just the options you need for a specific application. You never have to pay for an "option package" with features you may not need. Modular mounting also means you can add option to the actuator in the field.

Manual Override Standard

Both PAD and PAS actuators can be operated manually in the event of air or electrical failure.

Features

- Plastic Housing
- Proven Vane Design
- Manual Override
- Position Indicator
- High Torque Output
- Very Light Weight
- Permanent Lubrication

Options

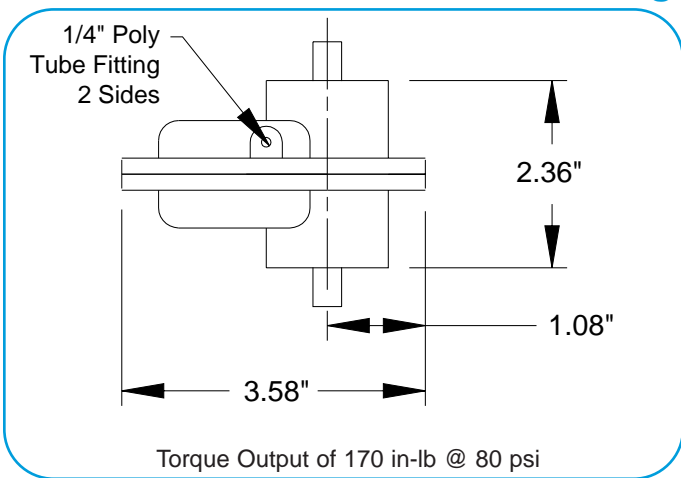
- Solenoid Valves
- Solenoid Voltages
- Limit Switch
- Cycle Speed Control
- Adjustable Travel Stops

Technical Specifications

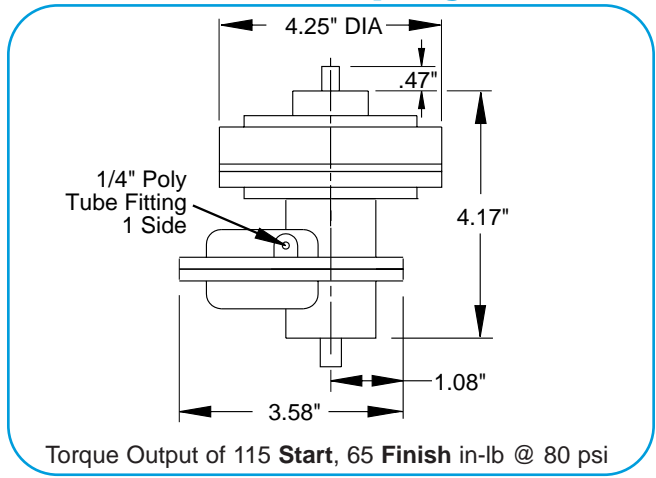
Actuator Specifications

Housing:	Polyetherimide plastic	Seals:	Polyurethane
Output Shaft:	Stainless Steel	Cycle Time:	Depends on Solenoid
Minimum Air Pressure:	80 PSI	Air Port Connections:	1/4" Poly Tube
Maximum Air Pressure:	120 PSI	Displaced Air Volume:	3.66 cu in

Series PAD – Air-to-Air/Double Acting



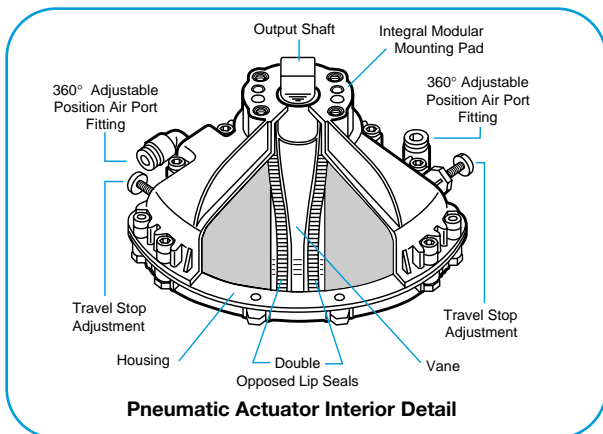
Series PAS – Air-to-Spring/Fail Safe



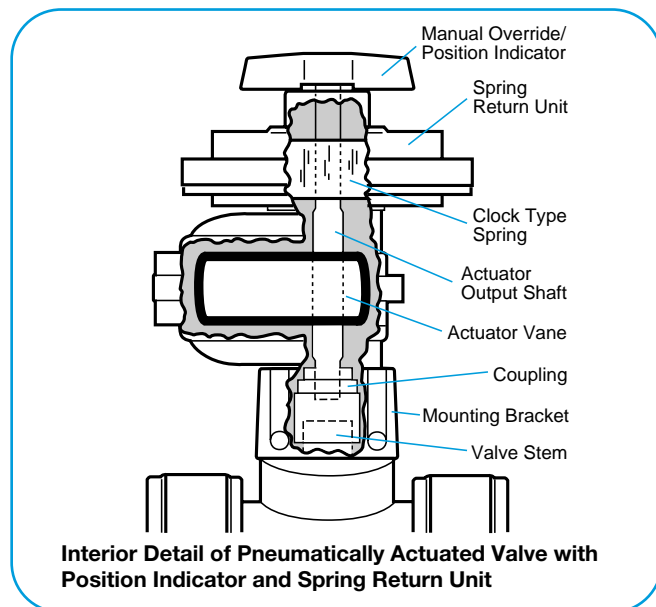
Selection Chart for PAD Double Acting and PAS Spring Return Pneumatic Actuators

Valve Size	True Union Ball Valve	Three Way Valve
1/4" to 2"	PAD3 or PAS3 *	PAD3 or PAS3 *

* Actuator size selections based on clean water at 70°F.



Typical Valve/Actuator Mounting Component Drawing



Hayward Industrial Products, Inc.

One Hayward Industrial Drive, Clemmons, NC 27012
 Tel: 1-888-429-4635 (1-888-HAYINDL) • Fax: 1-888-778-8410
 E-mail: industrial@haywardnet.com
 Web Site: <http://www.haywardindustrial.com>

Hayward Industrial Products (UK) Ltd.

Unit 2, Crowngate, Wyncolls Road
 Colchester, Essex C04 9HZ
 Tel: +44 (0) 1206 854454 • Fax: +44 (0) 1206 851240