



PVC & CPVC TRUE UNION 2000 VALVES

TU2000-2-0604

One of the Most Versatile, Compact Valve Designs Available

Spears® True Union 2000 Ball Valves, 3-Way Ball Valves and Ball Check Valves provide maximum versatility with fully interchangeable valve cartridges. Provides for easier system design modifications and upgrades in multiphase projects, or anywhere changes in valve types are desired. Simply exchange any True Union 2000 valve in-line using existing union nuts. Also mates with Spears® new Schedule 80 Unions and Diaphragm Valves. All True Union 2000 valves feature a low profile, compact design for minimal space requirements. Available in PVC or CPVC with choice of EPDM or Dupont Dow Genuine Viton® O-ring seals and socket, flanged, or optional Spears® patented Special Reinforced (SR) threaded end connectors. Additionally, Spears® offers valve Retrofit Kits for easy in-line replacement of other valves and factory installed Actuation Packages. Assembled with silicone-free lubricant.



True Union 2000 Industrial Ball Valve

- Multi-featured Industrial Grade
- Built-in Handle Lockout
- Fully Serviceable, Replaceable Components
- Safe-T-Blocked Seal Carrier - Full Rated Pressure
- ISO Pattern Actuation Mounting Option
- Spears® Dual O-ring Safe-T-Shear® Stem
- Self Adjusting PTFE Floating Seat Design
- Sizes 1/2" - 2" pressure rated to 235 psi @ 73°F, sizes 2-1/2" - 6" and all flanged to 150 psi @ 73°F
- NSF Certified for Potable Water Use
- Also Available in **SPEARS® LXT™** High Purity, Low Extractable PVC Material
- Produced in IPS sizes 1/2" - 6" with Socket, Flanged or SR Threaded End Connectors

True Union 2000 Industrial 3-Way Valve

- Industrial Grade, Multiport, Diverter, L-Pattern & T-Pattern configurations Vertical 3-Way or Horizontal Diverter (shown)
- Built-in Handle Lockout
- Fully Serviceable, Replaceable Components
- Safe-T-Blocked Seal Carrier - Full Rated Pressure
- ISO Pattern Actuation Mounting Option
- Spears® Dual O-ring Safe-T-Shear® Stem
- Self Adjusting PTFE Floating Seat Design
- Sizes 1/2" - 2" pressure rated to 235 psi @ 73°F, sizes 2-1/2" - 4" and all flanged to 150 psi @ 73°F
- NSF Certified for Potable Water Use
- Produced in IPS sizes 1/2" - 4" with Socket, Flanged or SR Threaded End Connectors



*PROGRESSIVE PRODUCTS FROM SPEARS®
INNOVATION & TECHNOLOGY*

Visit our web site:
www.spearsmfg.com



Quality Systems Certificate No. 293
Corporate Facilities, Sylmar, CA
Assessed to ISO 9001

True Union 2000 Industrial Ball Check Valve

- Industrial Grade
- Flow-Tested for Minimum Turbulence
- Fully Serviceable, Replaceable Components, uses Standard O-ring Seat
- Safe-T-Blocked Seal Carrier - Full Rated Pressure
- Easily Converted to Foot Valve
- NSF Certified for Potable Water Use
- Also Available in **SPEARS LXT™** High Purity, Low Extractable PVC Material
- Sizes 1/2" - 2" pressure rated to 235 psi @ 73°F, sizes 2-1/2" - 6" and all flanged to 150 psi @ 73°F
- Produced in IPS sizes 1/2" - 6" with Socket, Flanged or optional SR Threaded End Connectors
- Also available in PVC White



Check Valve Size	1/2	3/4	1	1-1/4	1-1/2	2	2-1/2	3	4	6
Cv	6.3	17	25	65	86	130	200	275	500	800

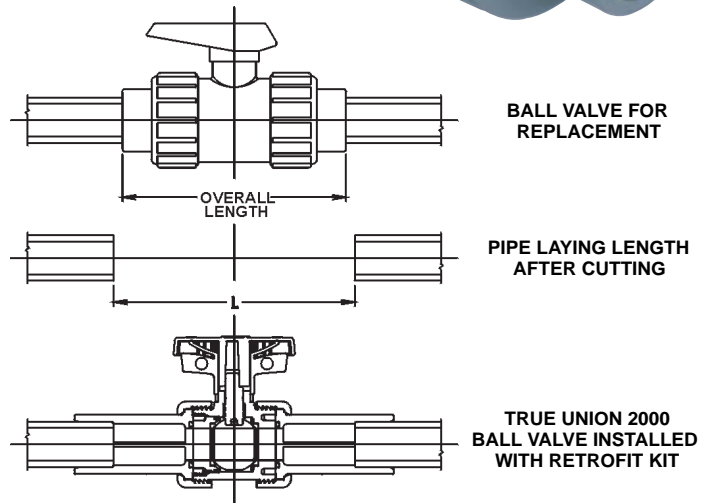
Economical True Union 2000 Standard Ball Valve

- High quality Standard Ball Valve
- Allows future system upgrade
- Excellent for OEM Applications
- Replaceable Seats
- Safe-T-Blocked Seal Carrier - Full Rated Pressure
- Spears Safe-T-Shear® Stem
- Self Adjusting Floating Seat
- Sizes 1/2" - 2" pressure rated to 235 psi @ 73°F, sizes 2-1/2"-4" and all flanged to 150 psi @ 73°F.
- NSF Certified for Potable Water Use
- Produced in IPS sizes 1/2" - 4" with Socket, Flanged, or SR Threaded End Connectors
- Also available in PVC White



True Union 2000 Retrofit Valves or Kits

Easily converts any system over to all True Union 2000 style valves for consistent valve type and uniform maintenance. Special extended socket style End Connectors (2) allow retrofit replacement of other brand valves in existing piping systems with a new True Union 2000 valve. Simply cut out old valve according to specified dimension and install retrofit end connectors. End connectors are provided with either EPDM or Viton® O-rings. Can be ordered as End Connector Kit or fully assembled Retrofit Valve.



COMPETITOR VALVE REPLACEMENT CUT-OUT

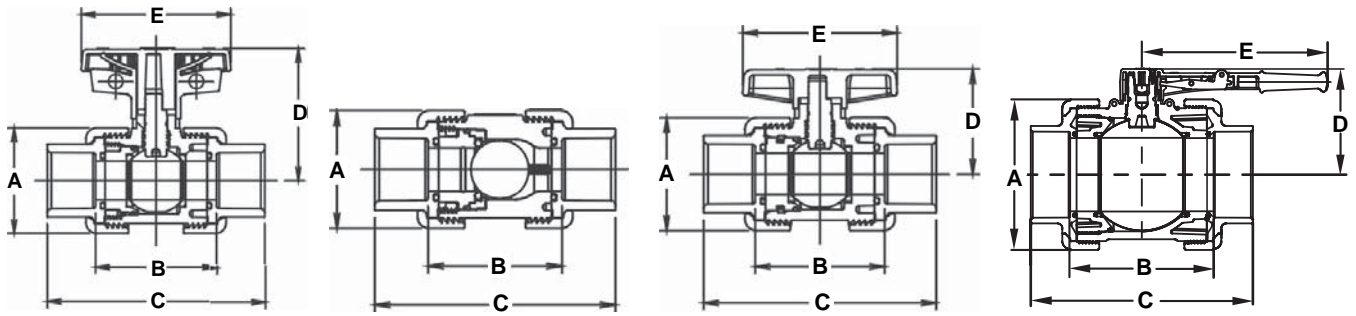
Size	1/2	3/4	1	1-1/4	1-1/2	2	2-1/2	3	4	6
L	4-7/8	5-7/16	6	7-1/4	7-1/2	8-1/2	10-3/4	11-3/8	14-5/16	N/A

L ± 1-1/16

Contact Spears® for Special Kits/Valves to replace older Spears® Regular True Union Ball Valves

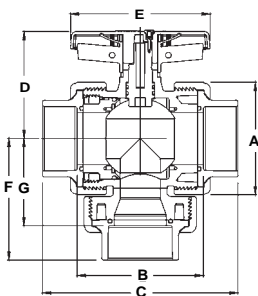
True Union 2000 Valve Dimensional Data

Industrial Ball Valve, Ball Check Valve & Standard Ball Valve

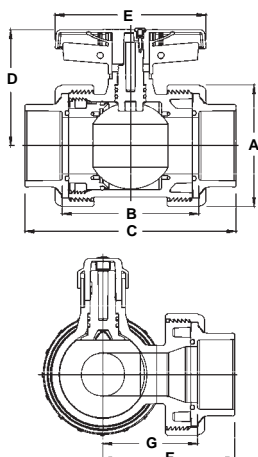


Nominal Size	A	Dimensions Reference (inches)										
		B ¹		C		D		E		F	G	
		Soc/Thd	Spigot	Socket	Thread	Spigot	Industrial	Standard	Industrial			Standard
1/2	1-7/8	2-3/8	2-7/8	4-3/16	3-3/16	4-5/8	2-9/16	1-5/8	2-13/16	2-1/2	3-1/2	2-31/32
3/4	2-1/4	2-3/4	3-1/4	4-3/4	4-1/4	5-1/4	2-7/8	2	3-3/8	3	3-7/8	3-5/16
1	2-1/2	2-7/8	3-1/2	5-1/8	4-11/16	5-3/4	3-1/8	2-5/16	3-7/16	3-7/16	4-1/2	3-5/8
1-1/4	3-1/16	3-1/4	3-13/16	5-3/4	5-3/16	6-5/16	3-5/8	2-13/16	3-7/8	3-9/16	4-5/8	3-31/32
1-1/2	3-1/2	3-1/2	4	6-1/4	5-7/16	6-3/4	4	3-1/16	4-3/16	3-7/8	5	4-3/8
2	4-1/4	4-3/4	5-3/16	7-3/4	6-3/4	8-1/4	4-1/2	3-3/4	5-1/8	5	6	5-1/4
2-1/2	5-3/8	6-7/8	7-13/16	10-7/16	9-11/16	11-3/8	5-1/8	5-7/8	6-1/4	7-5/8	7-1/2	6
3	6-3/16	7	7-13/16	10-11/16	9-7/8	11-9/16	5-7/8	5-7/8	7-5/8	7-5/8	7-1/2	6-13/16
4	7-5/8	7-5/16	8-1/4	11-7/8	10-1/4	12-3/4	6-3/4	6-3/4	9-3/16	6-3/4	9	7-1/2
6	11-5/8	11-1/16	13	17-1/16	15-3/4	18-1/2	8-1/8	---	14-5/16	---	11-1/4	10-3/16

Industrial 3-Way Ball Valve



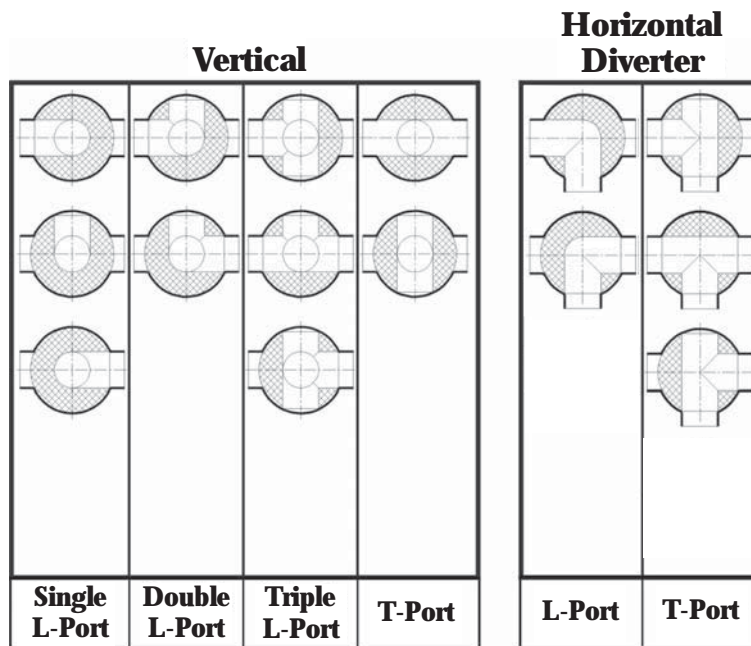
Nominal Size	A	B	C		D	E	F		G
			Socket	Thread			Socket	Thread	
			1/2	1-7/8			2-7/16	4-3/16	
3/4	2-1/4	2-3/4	4-3/4	4-1/4	2-7/8	3-5/16	3	2-3/4	2
1	2-1/2	2-7/8	5-1/8	4-11/16	3-1/8	3-7/16	3-1/4	3	2-1/8
1-1/4	3-1/16	3-1/4	5-3/4	5-3/16	3-5/8	3-13/16	3-3/4	3-3/8	2-3/8
1-1/2	3-1/2	3-1/2	6-1/4	5-7/16	4	4-3/16	4-3/16	3-13/16	2-3/16
2	4-1/4	4-3/4	7-3/4	6-3/4	4-1/2	5-1/8	5	4-1/2	3-1/2
2-1/2	5-3/8	5-7/8	9-5/16	8-1/2	5-1/8	6-1/4	5-7/8	5-1/2	4-1/8
3	6-3/16	6-7/8	10-11/16	9-3/4	5-7/8	7-5/8	6-11/16	6-3/16	4-3/4
4	7-1/2	7-1/4	11-13/16	10-1/4	6-3/4	9-3/16	7-1/8	6-3/4	5-7/8



Nominal Size	A	B	C		D	E	F		G
			Socket	Thread			Socket	Thread	
			1/2	1-7/8			2-7/16	4-3/16	
3/4	2-1/4	2-3/4	4-3/4	4-1/4	2-7/8	3-5/16	3	2-3/4	2
1	2-1/2	2-7/8	5-1/8	4-11/16	3-1/8	3-7/16	3-1/4	3	2-1/8
1-1/4	3-1/16	3-1/4	5-3/4	5-3/16	3-5/8	3-13/16	3-3/4	3-3/8	2-3/8
1-1/2	3-1/2	3-1/2	6-1/4	5-7/16	4	4-3/16	4-3/16	3-13/16	2-3/16
2	4-1/4	4-3/4	7-3/4	6-3/4	4-1/2	5-1/8	5	4-1/2	3-1/2
2-1/2	5-3/8	5-7/8	9-5/16	8-1/2	5-1/8	6-1/4	5-7/8	5-1/2	4-1/8
3	6-3/16	6-7/8	10-11/16	9-3/4	5-7/8	7-5/8	6-11/16	6-3/16	4-3/4
4	7-1/2	7-1/4	11-13/16	10-1/4	6-3/4	9-3/16	7-1/8	6-3/4	5-7/8

* No shut off on branch

3-Way Port Options



True Union 2000 Actuated Valves

Universal ISO Actuator Mounting Pattern Option

Spears® offers optional actuator mounting with standard ISO Mounting Pattern for user actuation of True Union 2000 Ball Valves.

Factory Actuated Valve Packages

Spears® Electric or Pneumatic Actuation Packages eliminate customer's having to determine proper valve and actuator mating. Pre-matched packages insure proper torque, coupling and mount for optimum performance - all factory installed and tested for proper alignment and operation. Actuation packages can be custom built to user specifications from Spears® wide selection of options, voltages and accessories. Contact Spears for additional information.



Foot Valve Screens

- Easily converts Ball Check Valve to a Foot Valve.
- Standard IPS spigot connection fits slip-socket valve end connector.
- Enlarged screen provides open area equivalent to valve for optimum flow characteristics.
- Chemical and corrosion resistant PVC or CPVC construction.



Typical Application
(VALVE NOT INCLUDED)



Split Nut Kit for True Union 2000 Valves & Union 2000 Schedule 80 Fittings

Split Nut Kits are designed to replace broken union nuts on Spears® True Union 2000 Ball Valves and Union 2000 Schedule 80 Unions. Kit includes SS316 Gear Clamp and 2-Split Nut halves. Can also be used if nut was not in place during end connector installation. Split Nut is fully serviceable to original valve pressure rating.

NOT FOR USE WITH COMPRESSED AIR OR GASES

Spears® Manufacturing Company DOES NOT RECOMMEND the use of thermoplastic products to transport or store compressed air or gas.

Viton® is a registered trademark of DuPont Dow Elastomers



SPEARS® MANUFACTURING COMPANY

CORPORATE OFFICES

15853 Olden Street, Sylmar, CA 91342
P.O. Box 9203, Sylmar, CA 91392
(818) 364-1611 • <http://www.spearsmfg.com>

